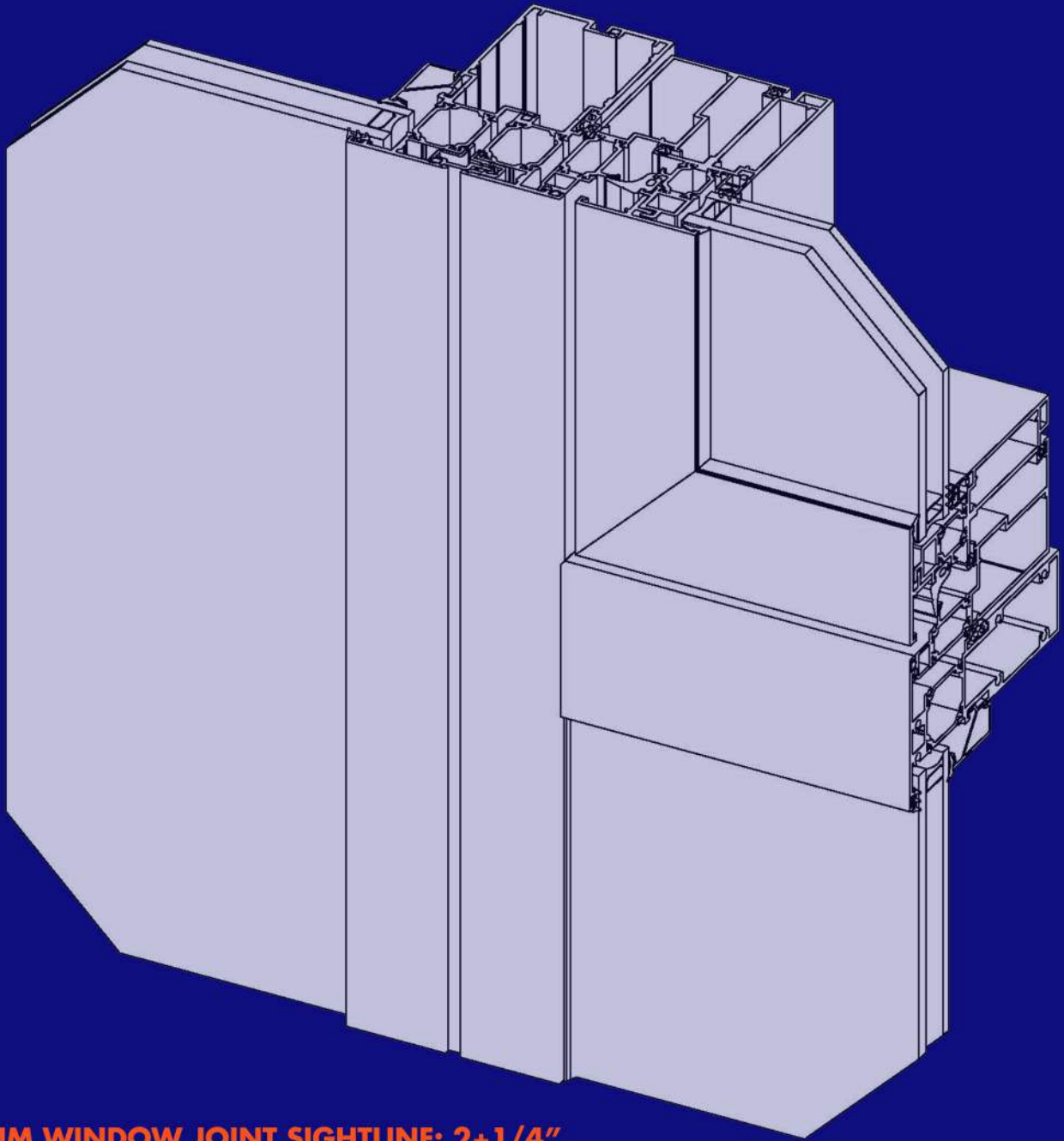


W50i Window Wall

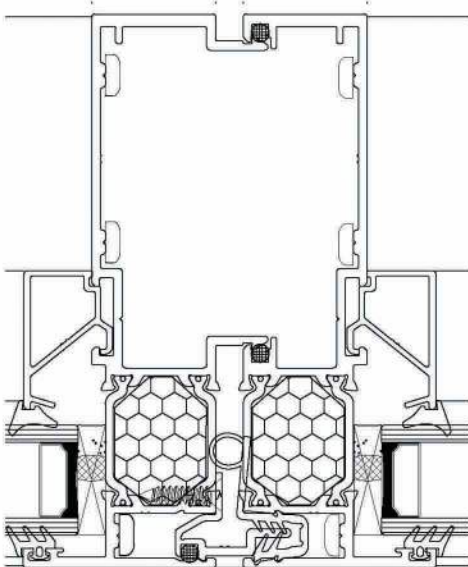
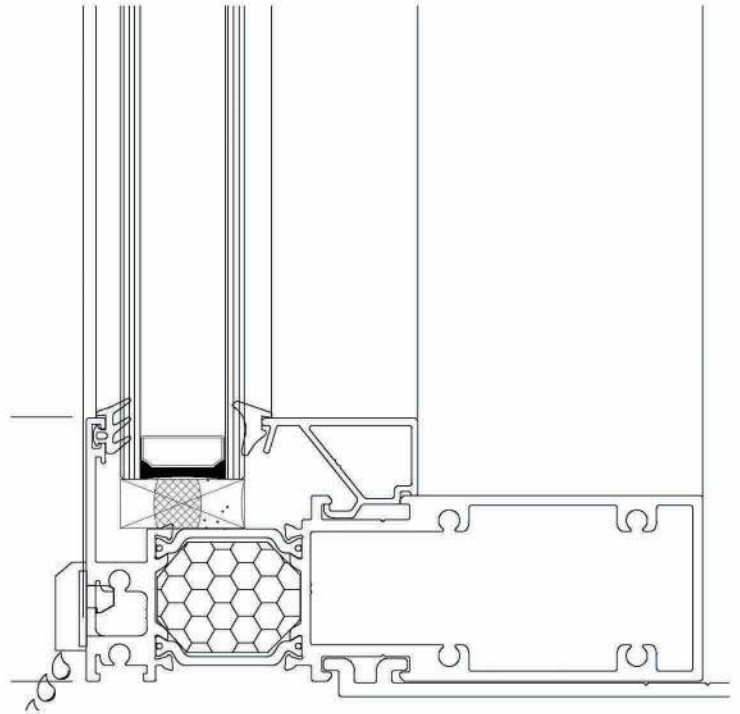


MINIMUM WINDOW JOINT SIGHTLINE: 2+1/4"
U-VALUE: 0.215 TO 0.419
SOUND REDUCTION: OITC 29 - 37, STC 32 - 43
AIR INFILTRATION @ 6.24 PSF: 0.03-0.10 CFM/FT²
AIR EXFILTRATION @ 6.24 PSF: 0.01-0.05 CFM/FT²
WATER PENETRATION RESISTANCE: 12-15 PSF

W50i series

PRODUCT FEATURES

- . 5" Frame Depth with Extra Wide with Polyamide Thermal Barrier
- . AAMA Rating: Class AW-PG55
- . Glazing Option with 1", 1-1/4" and 1-1/2"
- . Dry glazing
- . Euro-style frame with smooth connection edge
- . Fast installation with integrated snap-in system
- . Triple gaskets on male and female frame joint
- . Multiple installation options
- . Operable units, project out and inswing casement, integrated with the window wall
- . Various hardware and finish options



OPTIONAL FEATURES

- . Integral Slab Bypass System
- . Bent Metal Slab Cover
- . Two-Tone Color Capability
- . Structural Mullion Profiles with 5", 6" and 7"
- . Hard Foam Thermal Inserts
- . Steel Inserts for Structural Improvement

Speak to your Crystal representative regarding the wide array of accessories for anchorage, esthetics, and enhanced performances

Crystal Window & Door Systems, Ltd.

NYC, NY (HQ) 31-10 Whitestone Expressway, Flushing, NY 11354 Tel: 800.472.9988/718.961.7300 Fax:718.460.4594
SCRANTON, PA 204 Franklin Valley Rd., Dalton, PA 18414 Tel: 570.276.8000 Fax: 570.563.5313
CLEVELAND, OH 29299 Clemens Rd. 1-B, Westlake, OH 44145 Tel: 440.871.8694 Fax: 440.871.8690
ST. LOUIS, MO 300 Axminister Dr., Fenton, MO 63026 Tel: 636.305.7880 Fax: 636.305.7881
CHICAGO, IL 1300 W. 35th st. Chicago, IL 60609 Tel: 773.376.6688/888.280.3288 Fax: 773.376.6868
RIVERSIDE, CA 1850 Atlanta Ave., Riverside, CA 92507 Tel: 951.779.9300 Fax: 951.779.6300
DALLAS, TX 454 W. Mockingbird Ln, Dallas, TX Tel: 469.248.3012 Fax:496.248.2978

Crystal Windows Affiliations: AIA WDMA



Find us on: Facebook Instagram Twitter YouTube LinkedIn

CRYSTAL[®]
WINDOW & DOOR SYSTEMS, LTD.
WWW.CRYSTALWINDOWS.COM

